

Illustration - Type - E

3 600 HD0 000
 Issue | 23-08-10
 Stand | **Fig./Abb. 1**

Modifications reserved
 Änderungen vorbehalten
 Modifications réservées
 Salvo modificaciones

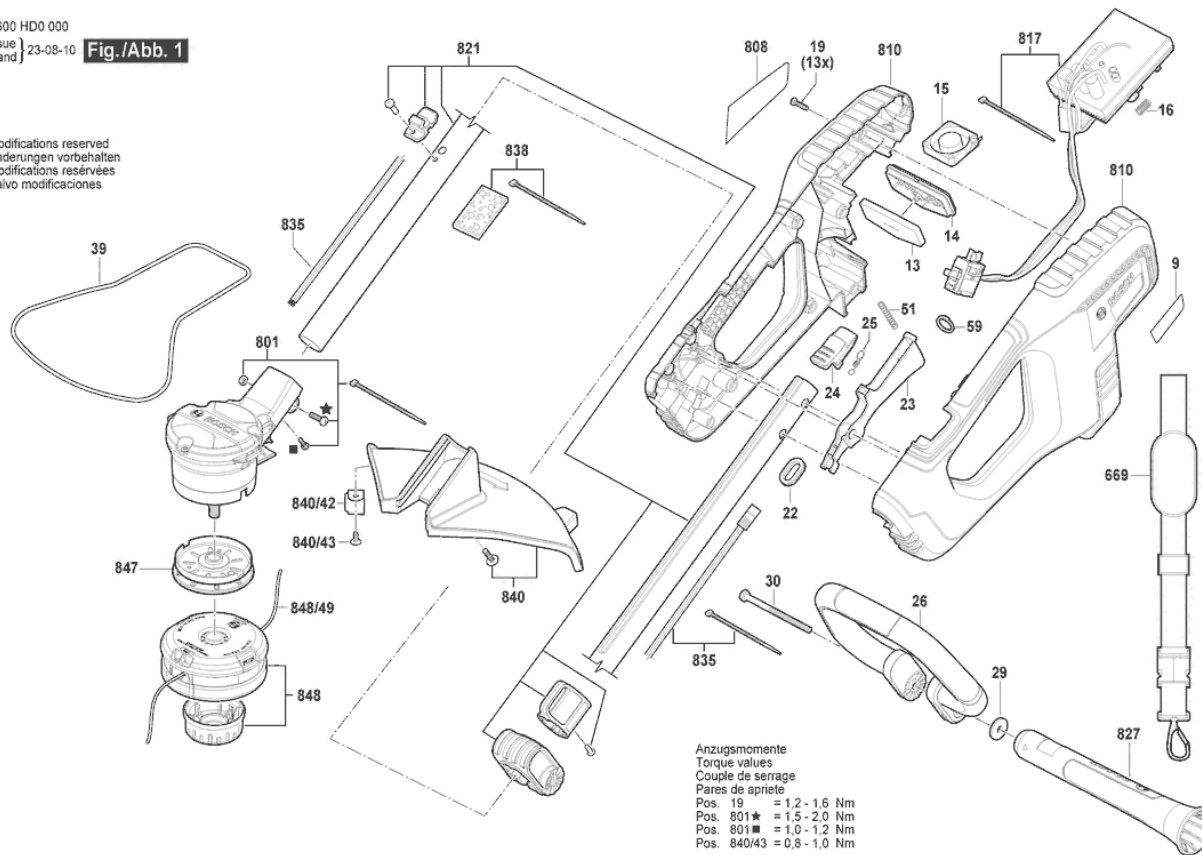
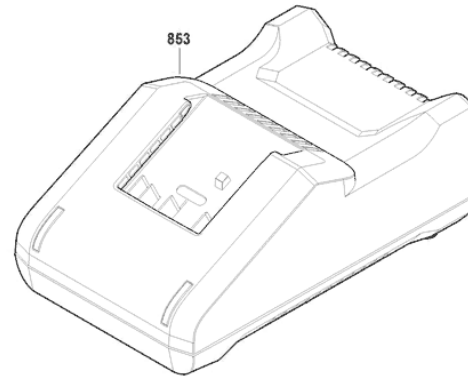
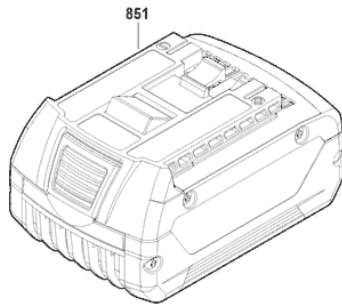


Illustration - Type - E

3 600 HD0 000
Issue | 23-02-14
Stand | **Fig./Abb. 2**



Modifications reserved
Änderungen vorbehalten
Modifications réservées
Salvo modificaciones

Spare parts list

Item	Part Number	Description	Illustration
9	F 016 L78 918	Manufacturer's nameplate GFR 18V-33	1
13	F 016 L78 911	Particle Filter	1
14	F 016 L78 907	Support Frame	1
15	F 016 L78 459	Fan	1
16	F 016 L79 073	Compression Spring	1
19	F 016 L78 439	Screw	1
22	F 016 L78 908	Grommet	1
23	F 016 L78 412	Trigger	1
24	F 016 L78 413	Button	1
25	F 016 L78 438	Spring	1
26	F 016 L78 902	Handle	1
29	F 016 L78 701	Washer	1
30	F 016 L78 447	Bolt	1
39	F 016 L78 582	Protector	1
51	F 016 L78 778	Spring	1
59	F 016 L78 913	Ring	1
669	F 016 L79 090	Shoulder strap	1
801	F 016 F06 032	Motor assembly	1
808	F 016 F06 043	Nameplate	1
810	F 016 F06 034	Housing	1
817	F 016 F06 035	Electronic Assembly	1
821	F 016 F06 036	Tube	1
827	F 016 F06 037	Safety Guard	1
835	F 016 F06 038	Cable	1
838	F 016 F06 039	Particle Filter	1
840	F 016 F05 840	Guard	1
840/42	F 016 L78 449	Blade	1
840/43	F 016 L78 456	Screw	1
847	F 016 F05 867	Fan	1
848	F 016 F05 841	Cutting line cartridge	1
848/49	F 016 L78 457	Plastic Cable	1
851	2 607 337 069	Battery Pack	2
853	2 607 226 251	Fast Charger	2
853	2 607 226 255	Fast Charger AUS GAL 18V-40	2